

GENERAL FEATURES

- Longer cycle life: special paste formula, over dimensioned negative plate, optimized manufacturing process, additives for deep discharge.
- Special separators boost up the battery internal performance.
- Using oxygen recombination technology, maintenance-free and little water losing.
- ABS material: enhanced strength of the battery container. (Flame-retardant ABS is optional).
- Designed to have a lifespan of 12 years for float charging at 25°C



APPLICATIONS

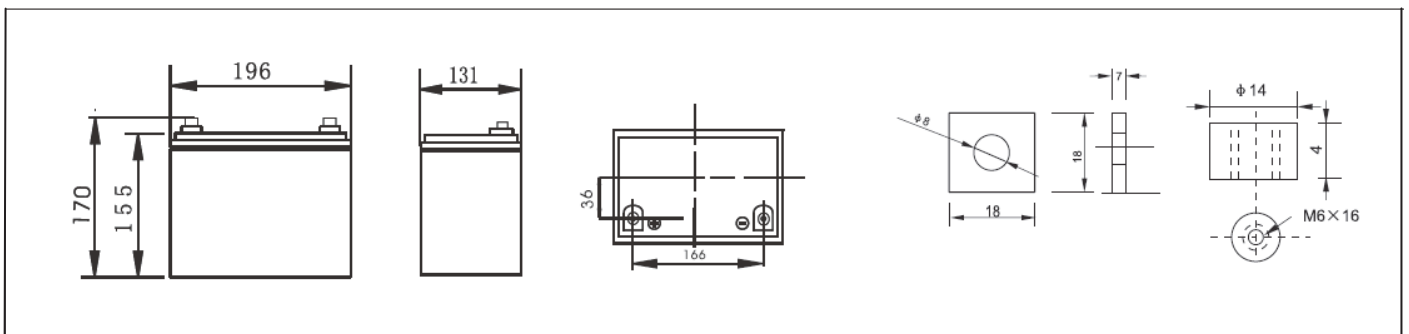
- Electric tools
- Vehicle in place of walking
- Lawn mowers
- Golf trolleys and golf cart
- Power system of special network or local area network
- Electric toys
- Railway and marine systems
- Fire alarms
- Solar and wind power system
- Electric wheelchairs
- Medical equipment



SPECIFICATIONS

| | | | | |
|--|---|------------------------|-------------------------|---------------------|
| Model | Nominal Voltage | 12V | | |
| | Rated Capacity (10Hr rate) | 33Ah | | |
| Dimensions | Length | Width | Height | Total Height |
| | 196mm (7.72") | 131mm (5.16") | 170mm (6.69") | 170mm (6.69") |
| Weight | Approx. 9.9 0kg(23.15lbs) ± 3% | | | |
| Capacity @25°C (77°F) | 10 Hour (3.3A,10.8V) | 5 Hour (5.6A,10.5V) | 3 Hour (8.3A,10.2V) | 1 Hour (18.2A,9.6V) |
| | 33.0Ah | 28Ah | 24.8 Ah | 18.2Ah |
| Internal Resistance | Fully charged at 25°C, approx. 14.0mΩ | | | |
| Max. Discharge current | 330A (5 Sec.) | | | |
| Capacity Affected by Temp. (20Hr) | 40°C (104°F) | 25°C (77°F) | 0°C (32°F) | -15°C (5°F) |
| | 102% | 100% | 85% | 65% |
| Self Discharge Rate @25°C (77°F) | After 3 months Storage | After 6 months Storage | After 12 months Storage | |
| | 91% | 82% | 64% | |
| Charge Method | Cycle Use | | Float Charging | |
| | 14.1-14.4V (Initial current less than 11.4A) @25°C (77°F) | | 13.5-13.8V@25°C (77°F) | |

DIMENSIONS & TERMINALS

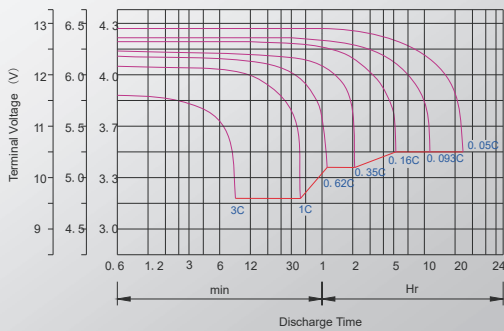


PERFORMANCE CHARACTERISTICS

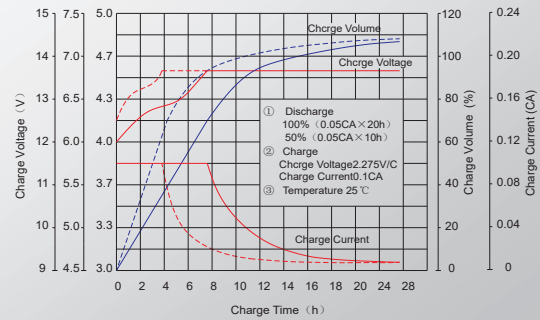
Constant Current (Amp.) and Constant Power (Watt) Discharge Table @25°C (77°F)

| Cell Voltage | Time | 5min | 10min | 15min | 30min | 1hr | 2hr | 3hr | 4hr | 5hr | 8hr | 10hr | 20hr |
|--------------|------|--------|--------|--------|--------|--------|--------|-------|-------|-------|-------|-------|-------|
| 9.60V | A | 92.00 | 60.00 | 49.00 | 33.00 | 17.00 | 10.00 | 7.00 | 6.00 | 5.00 | 3.00 | 3.00 | 2.00 |
| | W | 945.00 | 645.00 | 522.00 | 351.00 | 185.00 | 110.00 | 82.00 | 64.00 | 54.00 | 39.00 | 35.00 | 19.00 |
| 10.20V | A | 89.00 | 55.00 | 46.00 | 31.00 | 16.00 | 10.00 | 7.00 | 6.00 | 5.00 | 3.00 | 3.00 | 2.00 |
| | W | 948.00 | 608.00 | 513.00 | 350.00 | 182.00 | 109.00 | 82.00 | 64.00 | 53.00 | 38.00 | 35.00 | 18.00 |
| 10.50V | A | 86.00 | 49.00 | 40.00 | 29.00 | 16.00 | 9.00 | 7.00 | 6.00 | 5.00 | 3.00 | 3.00 | 2.00 |
| | W | 937.00 | 554.00 | 457.00 | 336.00 | 181.00 | 108.00 | 81.00 | 64.00 | 53.00 | 38.00 | 34.00 | 18.00 |
| 10.80V | A | 83.00 | 46.00 | 37.00 | 27.00 | 15.00 | 9.00 | 7.00 | 5.00 | 4.00 | 3.00 | 3.00 | 2.00 |
| | W | 928.00 | 529.00 | 429.00 | 312.00 | 176.00 | 107.00 | 80.00 | 64.00 | 53.00 | 37.00 | 34.00 | 18.00 |
| 11.10V | A | 80.00 | 43.00 | 34.00 | 24.00 | 15.00 | 9.00 | 7.00 | 5.00 | 4.00 | 3.00 | 3.00 | 1.00 |
| | W | 907.00 | 408.00 | 400.00 | 281.00 | 172.00 | 105.00 | 78.00 | 63.00 | 52.00 | 37.00 | 33.00 | 18.00 |

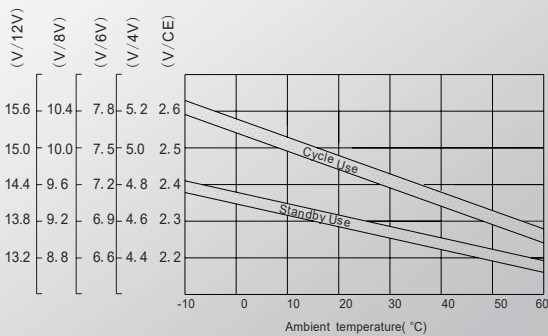
DISCHARGE CHARACTERISTICS



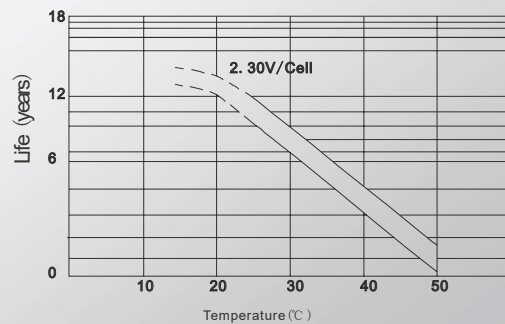
CHARGING CHARACTERISTICS (STANDBY)



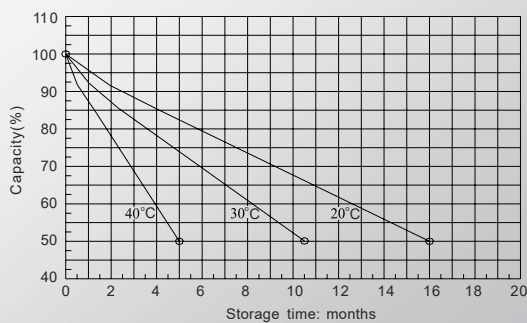
CHARGING VOLTAGE V.S. TEMP.



EFFECT OF TEMP. ON LONG TERM FLOAT DESIGNED LIFE



SELF DISCHARGE CHARACTERISTICS



CYCLE LIFE IN RELATION TO THE DEPTH OF DISCHARGE

